

DuraForm® PA Plastic

Durable polyamide (nylon) material for real-world physical testing and functional use.

General Properties

MEASUREMENT	CONDITION	METRIC	U.S.
Specific Gravity	ASTM D792	1.00 g/cm ³	1.00 g/cm ³
Moisture Absorption - 24 hours	ASTM D570	0.07%	0.07%

Mechanical Properties

MEASUREMENT	CONDITION	METRIC	U.S.
Tensile Strength Ultimate (MPa/PSI)	ASTM D 638	43	6237
Tensile Modulus (MPa/KSI)	ASTM D 638	1586	230
Elongation at Break (%)	ASTM D 638	14	14
Flexural Strength, Ultimate (MPa/PSI)	ASTM D 790	48	6962
Flexural Modulus (MPa/KSI)	ASTM D 790	1387	201
Hardness, Shore D	ASTM D2240	73	73
Impact Strength (notched Izod, 23°C)	ASTM D256	32 J/m	0.6 ft-lb/in
Impact Strength (unnotched Izod, 23°C)	ASTM D256	336 J/m	6.3 ft-lb/in
Gardner Impact	ASTM D5420	2.7 J	2.0 ft-lb

Data was generated by building parts under typical default parameters. DuraForm® PA Plastic was processed on a base-level HiQ™ SLS System at 13 watts laser power, 5 m/sec [200 inches/sec] scan speed, and a powder layer thickness of 0.1 mm [0.004 inches].

Features

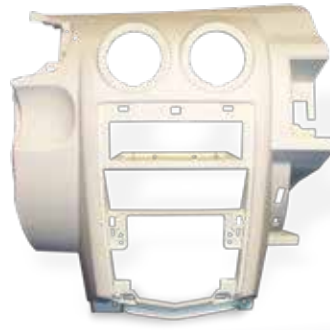
- Excellent surface resolution and feature detail
- Easy-to-process
- Compliant with USP Class-VI testing
- Compatible with autoclave sterilization
- Good chemical resistance and low moisture absorption

Benefits

- Nicely balanced mechanical properties and processability
- Build prototypes that withstand functional testing
- Produce durable end-use parts without tooling
- Create accurate and repeatable parts as demanded by manufacturers
- Machinable and paintable for demonstration parts

Applications

- Complex, thin-wall ductwork
- Functional prototypes that approach end-use performance properties
- Appropriate for low- to mid-volume rapid manufacturing
- Medical applications requiring USP Class-VI compliance, or biocompatibility
 - Motorsports
 - Aerospace
- Housing and enclosures
- Impellers and connectors
- Consumer sporting goods
- Vehicle dashboards and grilles
- Snap-fit designs
- Parts requiring machining or joining with adhesives



DuraForm[®] PA Plastic

For use with all selective laser sintering (SLS) systems

Thermal Properties

MEASUREMENT	CONDITION	METRIC	U.S.
Heat Deflection Temperature	ASTM D 648 @ 0.45 MPa @ 1.82 MPa	180 °C 95 °C	356 °F 203 °F
Coefficient of Thermal Expansion ($\mu\text{m}/\text{m}\cdot\text{°C}$ / $\mu\text{m}/\text{in}\cdot\text{°F}$)	ASTM E 831 0-50 °C 85-145 °C	82.6 179.2	45.9 99.6
Specific Heat Capacity	ASTM E1269	1.64 J/g·°C	0.392 BTU/lb·°F
Thermal Conductivity	ASTM E1225	0.70 W/m-K	4.86 BTU-in/hr-ft ² ·°F
Flammability	UL 94	HB	HB

Electrical Properties

MEASUREMENT	CONDITION	METRIC	U.S.
Volume Resistivity	ASTM D257	5.9×10^{13} ohm-cm	5.9×10^{13} ohm-cm
Surface Resistivity	ASTM D257	7.0×10^{12} ohm	7.0×10^{12} ohm
Dissipation Factor, 1 KHz	ASTM D150	0.044	0.044
Dielectric Constant, 1 KHz	ASTM D150	2.73	2.73
Dielectric Strength	ASTM D149	17.3 kV/mm	439 kV/in

Data was generated by building parts under typical default parameters. DuraForm[®] EX Plastic was processed on a base-level HiQ[™] SLS System at 13 watts laser power, 5 m/sec [200 inches/sec] scan speed, and a powder layer thickness of 0.1 mm [0.004 inches].



www.3dsystems.com

Warranty/Disclaimer: The performance characteristics of these products may vary according to product application, operating conditions, material combined with, or with end use. 3D Systems makes no warranties of any type, express or implied, including, but not limited to, the warranties of merchantability or fitness for a particular use.

© 2017 by 3D Systems, Inc. All rights reserved. Specifications subject to change without notice. 3D Systems, DuraForm, and Sinterstation are registered trademarks and the 3D Systems logo, HiQ and SinterScan are trademarks of 3D Systems, Inc.